

## ***Vakuumpumpe BV***

***Betriebsanleitung / Ersatzteilliste***

***Operating instructions / Spare parts list***

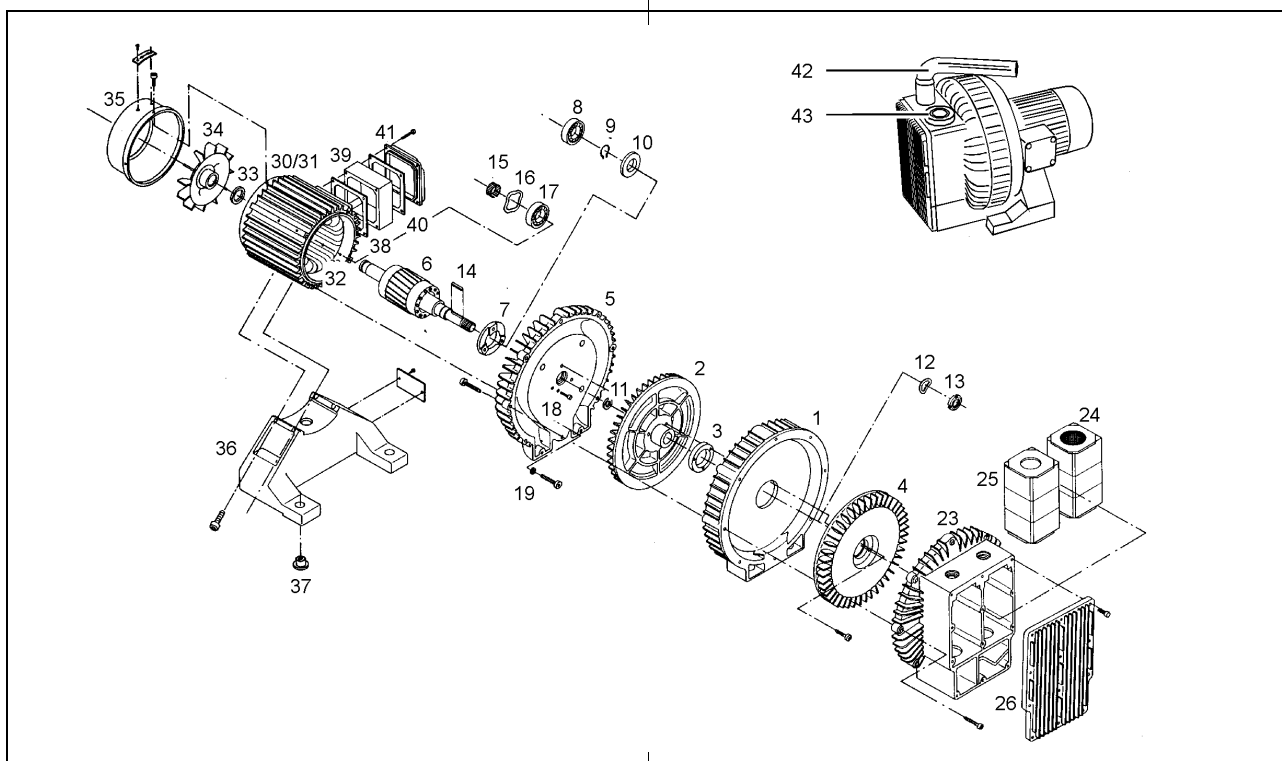


Fig. bv\_ett1.tif

<b>Verdichterteile</b>	<b>Blower parts</b>	<b>HS-Nummer</b>	<b>Schalldämpfer</b>	<b>Silencer</b>	<b>HS-Nummer</b>
1 Gebläsedeckel	Blower housing	0004-52435-26	23 Gebläsedeckel	Blower cover	
2 Laufrad	Impellor		24 Schalldämpfer	Silencer	
3 Zwischenscheibe	Connection disk		25 Schalldämpfer	Silencer	
4 Laufrad	Impellor		26 Schalldämpferdeckel	Silencer cover	
5 Gehäusedeckel	Housing cover				
6 Motorwelle	Motor shaft		<b>Antrieb</b>	<b>Drive</b>	
7 Lagerdeckel	Bearing cover		30 Motor kpl.	Motor cpl.	
8 Kugellager	Roller bearing		31 Motorgehäuse	Motor housing	
9 Sicherungsring	Security ring		32 Stator	Stator	
10 Wellendichtring	Shaft seal		33 Dichtring	Seal ring	
11 Distanzscheibe	Distance shim		34 Ventilator	Fan	0004-52435-34
12 Federscheibe	Spring shim		35 Schutzhaube	Fan cover	0004-52435-35
13 Wellenmutter	Shaft nut		36 Fuss	Foot	
14 Passfeder	Key		37 Fusspolster	Rubber foot	
15 Toleranzring	Tolerance ring		38 Dichtung	Gasket	
16 Ausgleichscheibe	Shim		39 Klemmkasten	Terminal bloc	
17 Kugellager	Roller bearing		40 Dichtung	Gasket	
18 Dichtring	Seal ring		41 Klemmkastendeckel	Terminal bloc cover	
19 Dichtring	Seal ring		NA Kondensator	Capacitor	0004-52435-36
			42 Traggriff	Handle	0003-52312-01
			43 Storz Kupplung 1 1/4"	Coupling Size 1 1/4"	0901-32000-14

Fig. ett.doc

Dear customer

We are sure that you will have many years of trouble-free service from your HYDROSTRESS system and would be pleased to hear from you that it is working without any difficulties.

<b>HYDROSTRESS AG</b>	Switzerland
Witzbergstrasse 18	Telefon ++41 1 950 10 74
CH-8330 Pfäffikon ZH	Telefax ++41 1 950 10 18

## 0.1 Validity of this manual

This manual is only valid for the following system:

Vacuum pump <b>BV</b> type SKG250-2V
--------------------------------------

## 1 Safety instructions

### 1.1 Qualification of operating personnel

Operating personnel must be trained by experienced experts. HYDROSTRESS will be glad to assist you in your training efforts. Maintenance and repairs must only be performed by specially trained personnel.

### 1.2 Read the manual and inform your fellow workers!



This manual contains important information required to operate the machine safely and efficiently.

The owner of the machine must ensure that the instructions in this manual are followed by **any person having anything to do with the machine**. The manual must be **accessible on the job site** at all times.

### 1.3 Electrical hazards

- Stop working with the machine immediately if the cable, the mains plug, the electric motor or the ON/OFF switch are in any way defective.
- Only use earthed (grounded) sockets.
- Compare the supply voltage with the indications on the type plate.

### 1.4 Vacuum fixing of drill rigs



Follow these instructions **to avoid loosening of the drill rig during machining** and endangering yourself or others.

- The holding load depends strongly on the surface of the structure. **Holding load can be insufficient with coarse surfaces.**
- Do not start drilling before having checked for sufficient stability by jerking the drill rig.
- Never fix the drill rig by means of vacuum only when drilling into walls. Always secure the drill rig using another device, for example, a brace.
- Do not drill **overhead**
- High feed pressure can loosen the drill rig. **Center and crank extremely carefully with little pressure.**

## 2 Range of application

### 2.1 Intended use

The vacuum pump is designed for vacuum fixing of concrete drilling rigs. Any other use can cause hazards which are not mentioned in this manual.

## 3 Technical data

Voltage	220 V / 50 Hz
Current consumption	8.8 A
Power consumption	1.1 kW
Motor protection	thermal overload switch
Noise level	
at a distance of 1 m:	approx. 75 dB(A)
Depression	0,3 bar
Flow rate	82 m <sup>3</sup> /h (0 bar)
Weight	27 kg

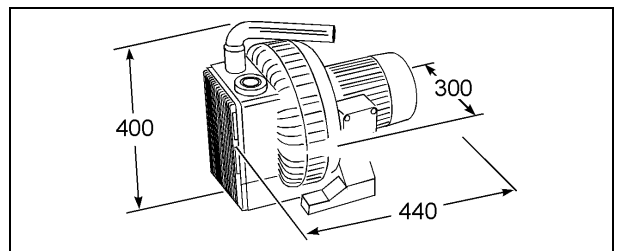


Fig. bv\_ms.tif

### 3.1 Design

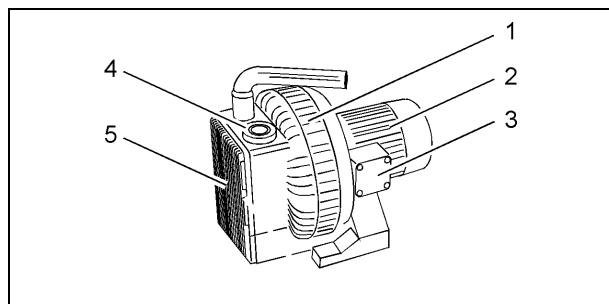


Fig. aufbau.tif

- 1) Impellor
- 2) Electric motor
- 3) Motor protection switch
- 4) Vacuum hose connection
- 5) Silencer

### 4 Starting the pump

- 1) Connect vacuum hose
- 2) Plug in mains

(The vacuum pump is running now)

### 5 Trouble shooting

Trouble	Cause	Remedy
vacuum is insufficient, drill rig can not be fixed	vacuum sealing of the drill rig is not inserted correctly or it is damaged	insert vacuum sealing correctly and check for damage
	impellers are soiled	disassemble pump and clean impellers
	surface is not suitable for vacuum fixing	fix drill rig with dowel
motor switches off	overload motor protection has disengaged	wait, until the motor starts to run again

### 6 Maintenance

- Yearly major servicing by HYDROSTRESS

### 7 Transport, placing out of service, storing, disposal

#### Transport

Protect the vacuum pump against damage during transport:

- Do not place anything on or against the vacuum pump

#### Placing out of service and storage

If you plan to place the pump out of service for some time, clean it and store it in a dry place

#### Disposal

The system consists of the following materials: Steel, aluminum, copper, rubber, plexiglass, plastic

Consider the local regulations for disposal in your country.

### 8 Spare parts list

Vacuum hose 8m	order no.	99ZU-32008-00
Vacuum plate for BY/BC	order no.	99MK-52057-01

### 9 Spare parts list (see last page)

#### 9.1 Ordering

The following information is required when ordering spare parts:

- Type of machine as shown on type plate (for example **BV Nr. 4536**)
- Stock number of spare part required according to spare parts list (for example **41** or **0004-52435-35**)