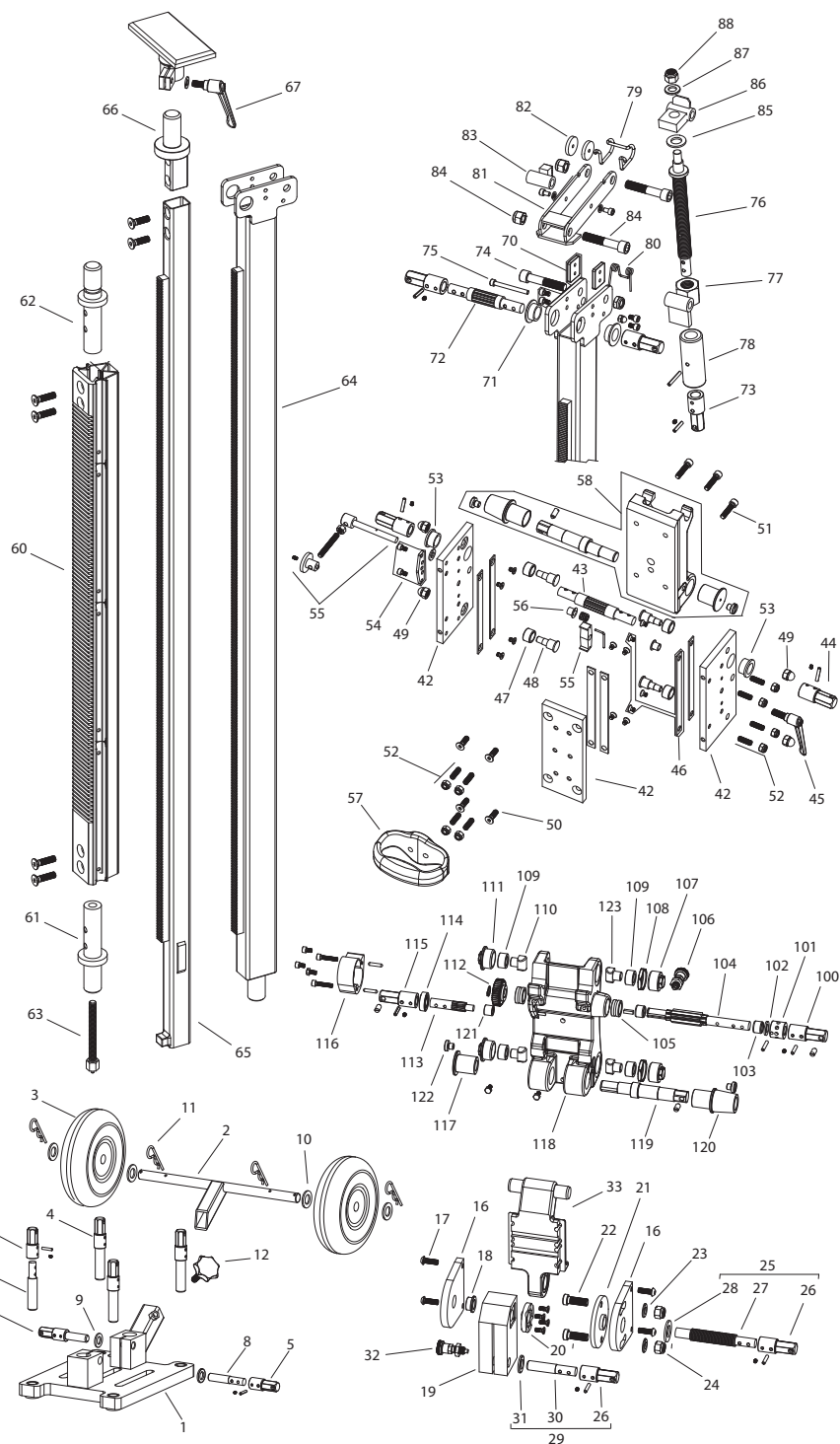
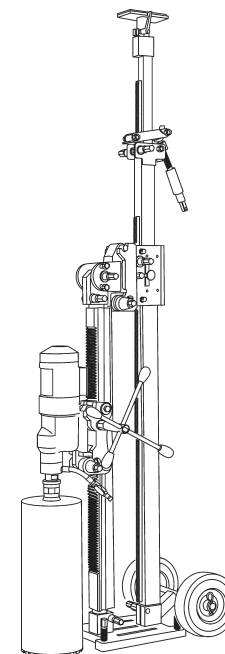


Operating Instructions

Spare parts list

Core drilling system DRU350***

Index 001



No	Description	Qty	Part No.	No	Description	Qty	Part No.
1	Base stand	1	10985094	85	Brass washer	1	10985155
2	Wheel axle	1	10985095	86	Guideplate holder	1	10985156
3	Wheel	2	10985096	87	Brass washer	1	10985157
4	Trapeze screw	4	10985097	88	M12 nut nyloc	1	10985158
5	Screw 19 mm Hex	4	10985098	100	Adapter	2	960777
6	Trapeze screw 20x4	4	10985099	101	Ring	1	977591
7	M16 Screw	2	10985100	102	Washer d15/d24x2.5	1	969122
8	M16 Screw	2	10985101	103	Ring dia 15x20x14	2	977525
9	Brass washer	2	10985102	104	Crankshaft	1	961827
10	Brass washer 20mm	4	10985103	105	Needle bearing	2	977501
11	Split pin	4	10985104	106	Locking bolt M12x1.5	1	977587
12	Star knob M12	1	10985105	107	Tensioning screw long	2	999065
16	Aluminiumplates	2	10985107	108	Counternut	1	978969
17	M8 Screw	4	10985108	109	Bearing shell	2	10981852
18	Bushing 16mm	1	10985109	110	Sliding bloc	2	10981858
19	Pillar holder	1	10985110	111	Tensioning screw	2	10981848
20	KB50 4xM6 screw	1	10985111	112	Gear wheel	1	968698
21	KB90	1	10985112	113	Crankshaft short	1	968699
22	M12 Screw	2	10985113	114	Deep groove ball	1	972146
23	M12 Washer	2	10985114	115	Adapter	2	960777
24	M12 Nut	2	10985115	116	Gear housing	1	968696
25	M20 screw	1	10985116	117	Bush II	1	978540
26	Screw 19mm Hex	1	10985098	118	Support	1	968695
27	M20 Screw	1	10985117	119	Eccentricshaft III	1	977492
28	Brass washer 20mm	1	10985118	120	Bush I	1	977491
29	M16 Screw	1	10985100	121	Needle bearing 10/2	1	968701
30	M16 Screw	1	10985101	122	Clamping screw	1	977335
31	Brass washer 16mm	1	10985102	123	Sliding bloc	2	10981858
32	Adjustable snap lock	1	10985119				
33	Modified holder	1	10987731				
T3	Housing Tyrolit	1	10985120				
42	Sideplates	3	10985121				
43	Axle	1	10985122				
44	Screw 19mm Hex	2	10985098				
45	Lever M10x25	1	10985123				
46	Guideplate	6	10985124				
47	Bearing	4	10985125				
48	Bearing fastener	4	10985126				
49	Domed cap nut	4	10985127				
50	Hex socket M8x25	4	10985128				
51	Hex socket M8x30	4	10985129				
52	M8x25 RF w. M8	8	10985130				
53	Bushing 20mm	2	10985131				
54	Stainless steel plate	1	10985132				
55	Cog lock complete	1	10985133				
56	Bush	2	10985134				
57	Handle incl. Screw	1	10985135				
58	Holder Tyrolit	1	10987730				
60	Feeding pillar	1	10987732				
61	Aluminiumpeg	1	10985136				
62	Aluminiumpeg	1	10985137				
63	Trapeze screw	1	10985138				
64	Outer telescope 60x40	1	10985139				
65	Inner telescope 40x30	1	10985140				
66	Aluminiumpeg	1	10985141				
67	Lever M10x25	1	10985123				
70	Brassplate	2	10985142				
71	Bushing 20mm	2	10985131				
72	Axle	1	10985143				
73	Screw 19mm Hex	2	10985098				
74	M12 screw and nut	1	10985144				
75	M6 screw and nut	1	10985145				
76	Trapeze screw 20x4	1	10985146				
77	Nut	1	10985147				
78	Aluminium handle	1	10985148				
79	Spring special	1	10985149				
80	Spring	1	10985150				
81	Guideplate	1	10985151				
82	Shimwasher	2	10985152				
83	Pipe with cogrod	1	10985153				
84	M12 screw and nut	2	10985154				



Danger

These Operating Instructions are supplemented by the primary "Core drilling Safety Manual / System Description" documentation and by the documentation accompanying the product.

Congratulations!

You have decided to purchase a tried and tested TYROLIT Hydrostress AG system and have thus acquired a highly sophisticated and reliable state-of-the-art unit.

- High performance
- Reliable operation
- High portability
- Easy handling

Low maintenance costs

Only original TYROLIT Hydrostress AG spare parts can guarantee quality and interchangeability.

In the case of neglected or inappropriate maintenance, we will be unable to accept the warranty commitment as specified in our terms of delivery. Any repair work must be carried out by trained personnel only.

If you need more details about how to keep your TYROLIT Hydrostress AG system in perfect condition, please contact our after-sales service for further information.

We hope that working with your TYROLIT Hydrostress AG system will be a problem-free and fault-free experience.

TYROLIT Hydrostress AG

Copyright © TYROLIT Hydrostress AG

TYROLIT Hydrostress AG

Witzbergstrasse 18

CH-8330 Pfäffikon

Switzerland

Phone 0041 (0) 44 / 952 18 18

Fax 0041 (0) 44 / 952 18 00

www.tyrolit.com

DRU350***

